

1/2.7" Megapixel IR Series

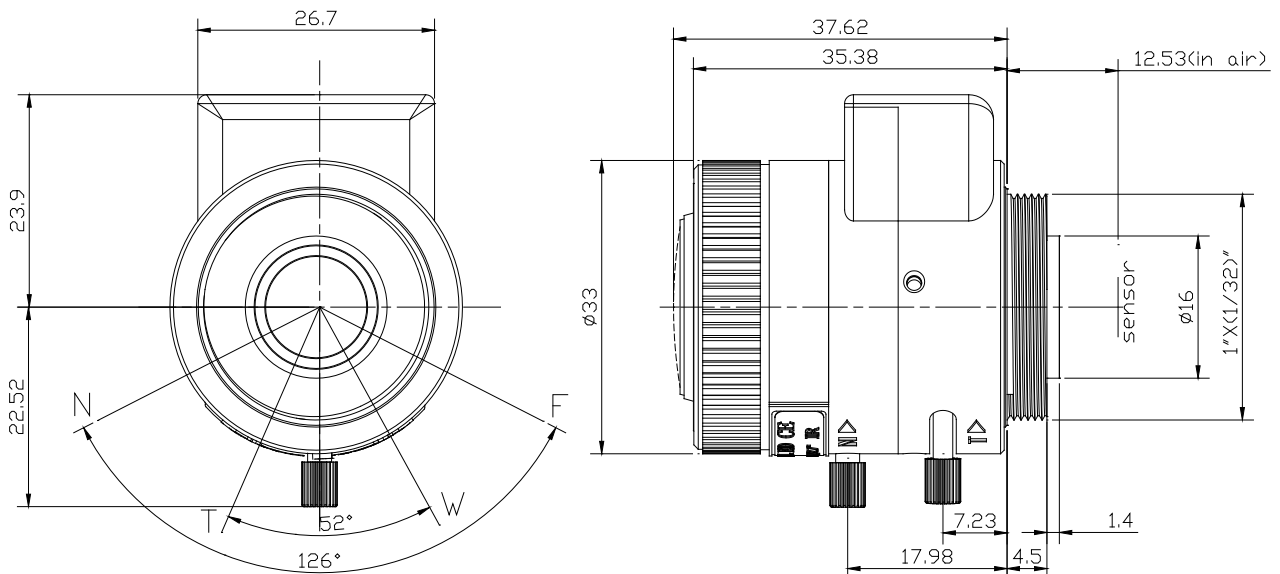
VML- 3105IRP

- 3 – 10.5mm
- 1/2.7" Format
- 3 Megapixel
- CS Mount
- P-IRIS
- IR Correction



E.F.L.	3 ~ 10.5 mm	
F No.	F1.4	
H.FOV	1/2.8" 1080P	100° ~ 30°
Image Format	1/2.7"	
Iris Type	P-Iris (stepping motor)	
Mount Type	CS	
M.O.D	0.3m	
TV Distortion	1/2.8" 1080P	-15% (wide)
Chief Ray Angle (Max)	<7°	
Control Type	Zoom	Manual
	Focus	Manual
Operating Temperature	-20°C ~ 60°C	
Weight	39g ±4g	

Dimensions



Tolerance(mm)	0 ~ 10 ±0.05	10 ~ 30 ±0.10	30 ~ 120 ±0.20	Angle ±2°
---------------	--------------	---------------	----------------	-----------